

HM-2X30A-A200 规格书 (交流电源滤波器)

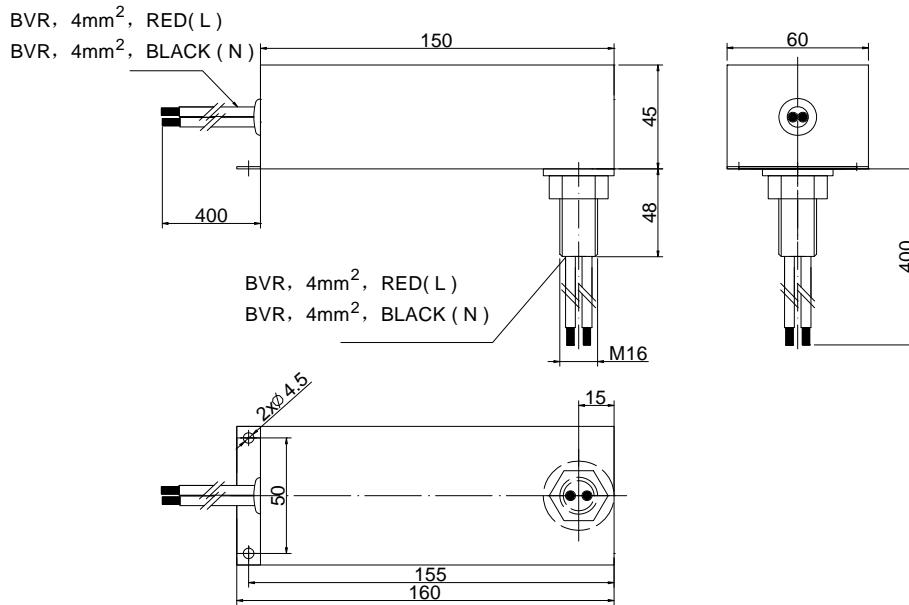
◆ 技术参数 Specification

典型插入损耗 Typical insertion loss

额定电压 Rated voltage	250VAC
工作频率 Operating frequency	50/60Hz
额定电流 Rated current	30A
气候类别 Climatic category	25/070/21
泄漏电流 Leakage Current	200mA

Frequency	150KHz-18GHz
Attenuation	≥100dB

◆ 外形尺寸 Outline Drawing and Dimensions: (mm)



◆ Installation Sketch:

