

**HM-EMP-TEL2-CM 规格书 (电话信号滤波器)**

◆ 技术参数 Specification

额定电压 Rated voltage 100VDC

额定电流 Rated current 1A

气候类别 Climatic category 10/070/21

试验电压 Test voltage (2s/1Min)

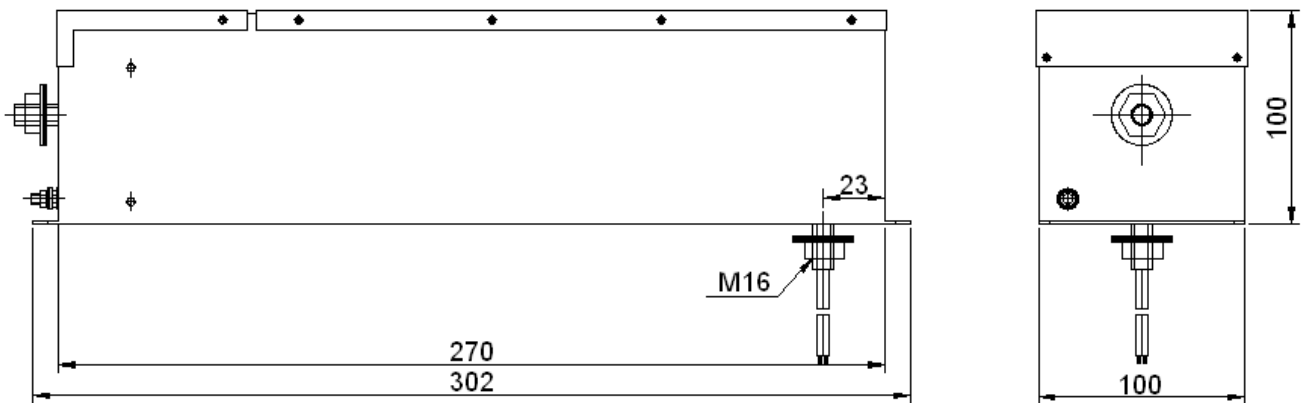
线—线 Line-to-line: 250VDC

线—壳 Line-to-case: 250VDC

◆ 浪涌抑制性能 Transient Suppression Performance

Accord with MIL-STD-188-125-1&-2

◆ 外形尺寸 Dimension



典型插入损耗 Typical insertion loss

|                   |           |
|-------------------|-----------|
| Frequency         | 14K-18GHz |
| CM Insert Lossing | 100dB     |

◆ 电性能 Electrical characteristics

用于电磁屏蔽房、屏蔽柜、电子方舱、信息安全保密房、医院 CT、核磁共振房的信号控制端的滤波 Use for filter in electro-magnetic mask room、mask cabinet、electronic、square cabin、information security room、CT equipment of hospital、nuclear-magnetic、Semaphore Insertion for signal and control purification。