

HM-EMP-TEL2-CM 规格书 (电话信号滤波器)

◆ 技术参数 Specification

额定电压 Rated voltage 100VDC

额定电流 Rated current 1A

气候类别 Climatic category 10/085/21

试验电压 Test voltage (2s/1Min)

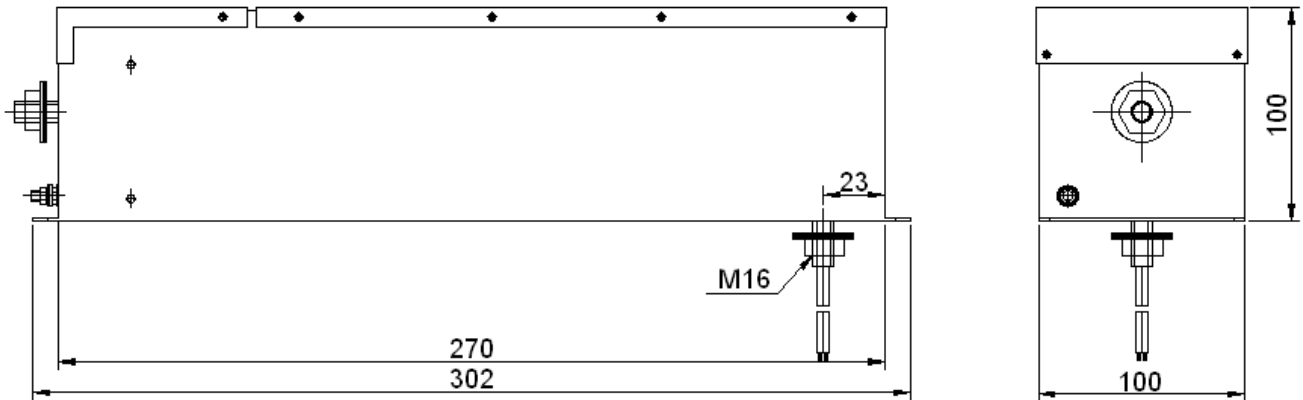
线-线 Line-to-line: 250VDC

线-壳 Line-to-case: 250VDC

典型插入损耗 Typical insertion loss

频 率	100K-18GHz
插入损耗	100dB

◆ 外形尺寸 Dimension



◆ 电性能 Electrical characteristics

用于电磁屏蔽房、屏蔽柜、电子方舱、信息安全保密房、医院 CT、核磁共振房的信号控制端的滤波 Use for filter in electro-magnetic mask room、mask cabinet、electronic、square cabin、information security room、CT equipment of hospital、nuclear-magnetic、Semaphore Insertion for signal and control purification。