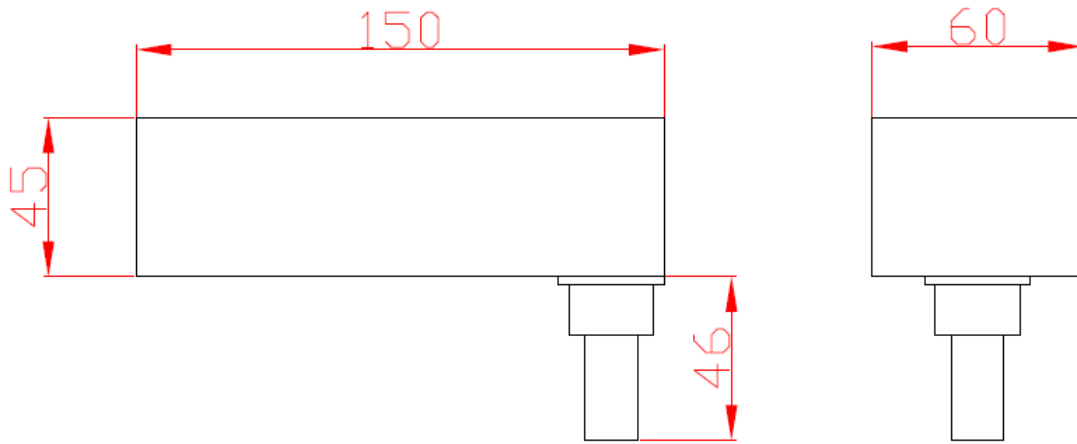


HM-PF-2×10A-Y 规格书 (Lower Leakage Current Power Filter)

1. Outline Drawing and Dimensions: (mm)



2. Technical Data:

- ① Rated Voltage: 250VAC/500VDC
- ② Rated current: 10A
- ③ Lines: 2
- ④ Insertion Loss: $\geq 100\text{dB}$, 10MHz~10GHz
- ⑤ Climatic Category: 25/070/21
- ⑥ Leakage Current: <5mA

3. Assembly Parts: ① M16 Conduit Screw: 1pc ② Gasket16: 1pc
 ③ M16 Screw Nut: 1pc ④ EMI Gasket: 1pc

4. Installation Sketch:

