

HM-SF-FireAlarm8 规格书

◆ 技术参数 Specification

额定电压 Rated voltage 250VAC

额定电流 Rated current 5A

线路 Line 8

气候类别 Climatic category 25/070/21

试验电压 Test voltage (2s/1Min)

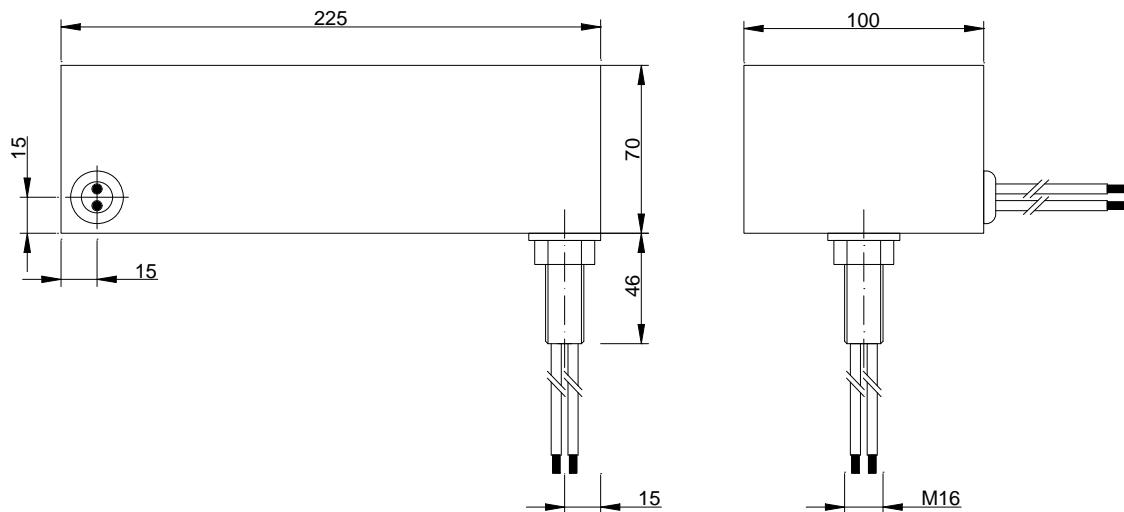
线-线 Line-to-line: 1000VDC

线-壳 Line-to-case: 1000VDC

典型插入损耗 Typical insertion loss

Frequency Band	Attenuation
150K~10G	100dB

◆ 外形尺寸 Dimension



◆ 电性能 Electrical characteristics

用于电磁屏蔽房消防设备信号滤波

Use for fire alarm system in RF shielding room, EMC chamber for signal line purification.