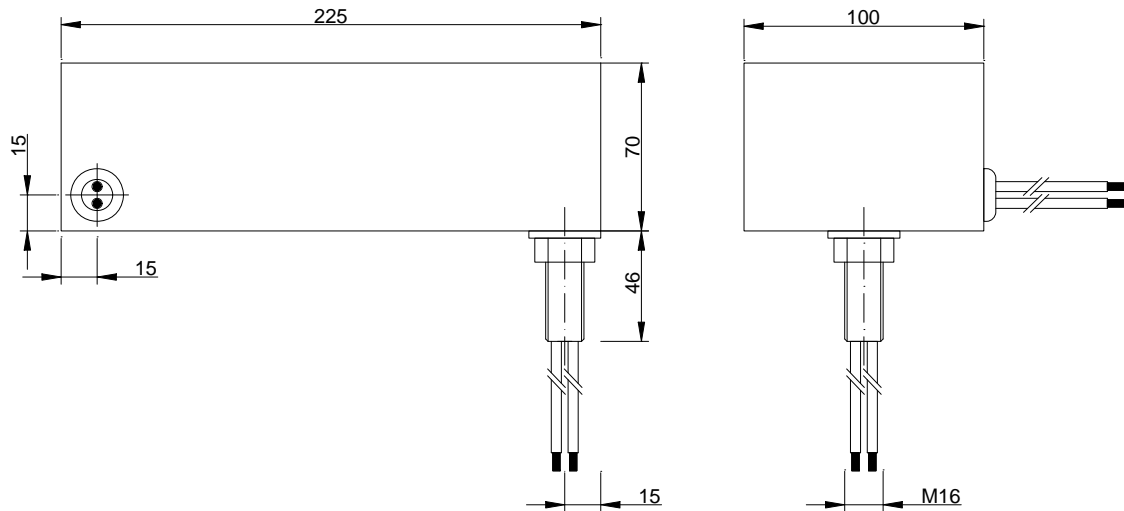


HM-Tel-2 Filter 规格书

China HuaMing E&E Co., Ltd WWW.EMCFittings.Com

1. Type: HM-TEL-2

2. Outline Drawing and Dimensions: (mm)



3. Technical Data:

① Rated Voltage: 250VDC

② Rated current: 0.3A

③ Impedance: 300/600 Ω

④ Passband: 0~20KHz

⑤ Insertion Loss: ≥ 100 dB, 100K~10G/40GHz

⑥ Test Voltage: 600VDC(line/line)

⑦ Climatic Category: 25/070/21

600VDC(line/ground)

4. Assembly Parts: ① M16 Conduit Screw: 1pc

② Gasket 16: 1pc

③ M16 Screw Nut: 1pc

④ EMI Gasket: 1pc

⑤ Certificate: 1pc

5. Installation Sketch:

