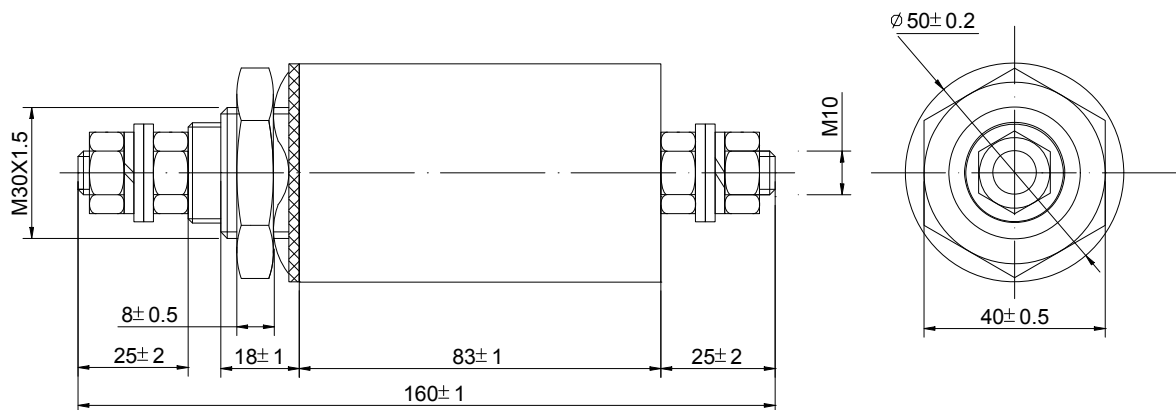


HM-200DTC1 规格书 (FeedThrough Filter 馈通滤波器)

1. Outline Drawing and Dimensions:(mm)



2. Specification:

Rated Voltage: 250VAC

Rated Current: 200A

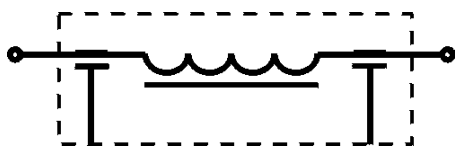
Operating frequency: 50/60Hz

Leakage current(250V/50Hz) \leq 0.2A

Test Voltage(1min): 2250VDC

Climatic Category: 40/085/56

3. Circuit Diagram:



$$C=2 \times 1.0 \mu F \pm 20\% (X2)$$

4. Insertion Loss in dB: (Measured in 50Ω system)

