

HM-Audio-2 Filter 规格书

China HuaMing E&E Co., Ltd

WWW.EMCFittings.Com

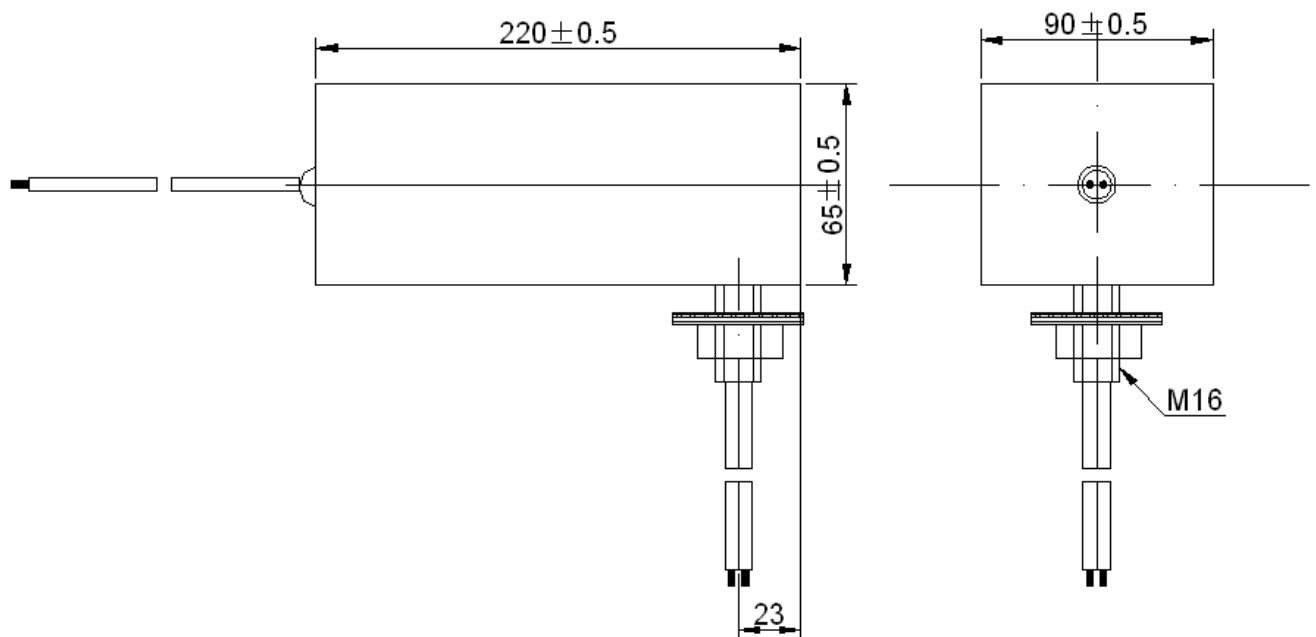
◆ 技术参数 Specification

额定电压 Rated voltage	250VDC
额定电流 Rated current	1A
气候类别 Climatic category	25/085/21
试验电压 Test voltage (2s/1Min)	
线—线 Line-to-line:	1000VDC
线—壳 Line-to-case:	1000VDC

典型插入损耗图 Typical insertion loss

频率	100KHz
插入损耗 (dB)	$\geq 100\text{dB}$

◆ 外形尺寸 Dimension



◆ 电性能 Electrical characteristics

用于电磁屏蔽房、屏蔽柜、电子方舱、信息安全保密房、医院 CT、核磁共振房的信号控制端的滤波 Use for filter in electro-magnetic mask room、mask cabinet、electronic、square cabin、information security room、CT equipment of hospital、nuclear-magnetic、Semaphore Insert for signal and control purification.