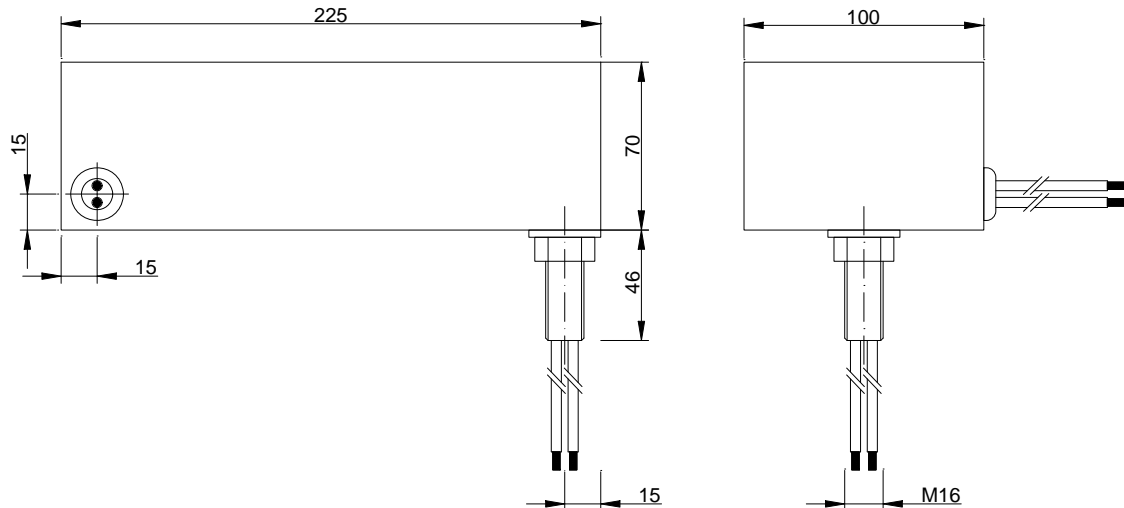


HM-FA-K2 规格书 (Fire Alarm Signal Filter 2Lines)

1. Outline Drawing and Dimensions: (mm)



2. Technical Data:

① Rated Voltage: 250VAC

② Rated current: 2A

③ Lines: 2

④ Insertion Loss:  $\geq 100\text{dB}$ , 100KHz~10GHz

⑤ Climatic Category: 25/070/21

3. Assembly Parts: ① M16 Conduit Screw: 1pc

② Gasket16: 1pc

③ M16 Screw Nut: 1pc

④ EMI Gasket: 1pc

⑤ Certificate: 1pc

4. Installation Sketch:

